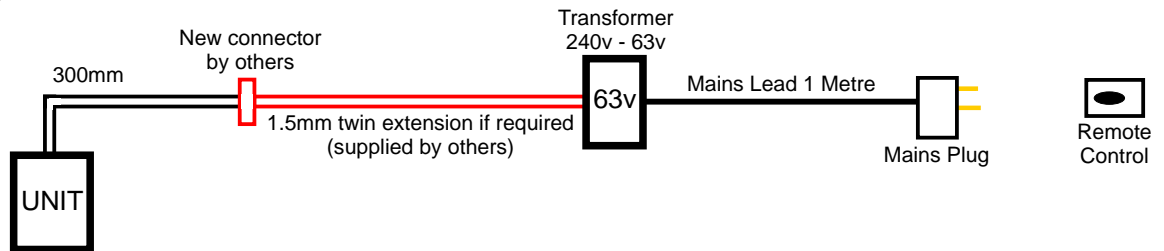
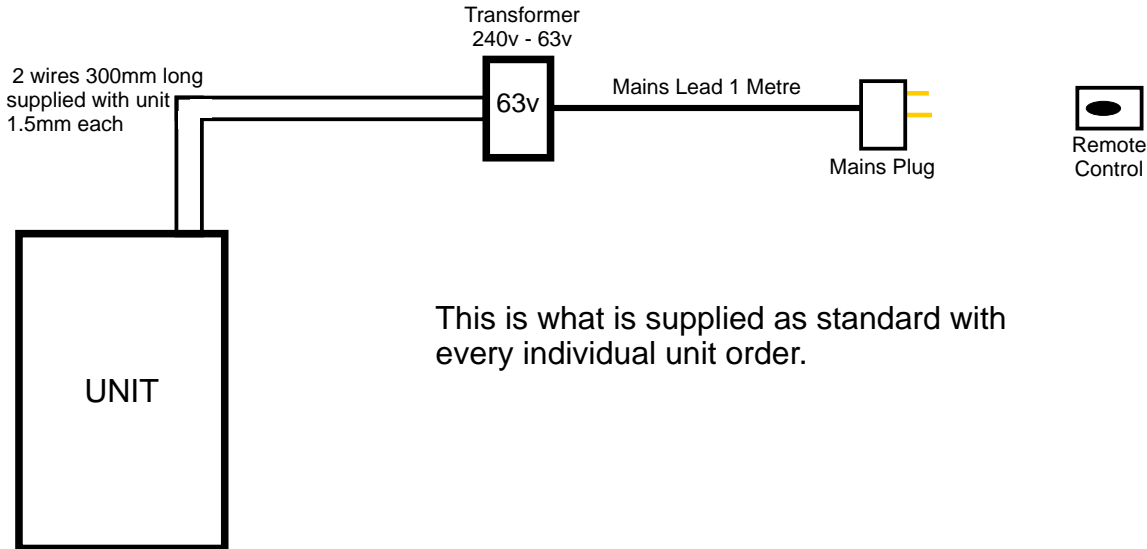


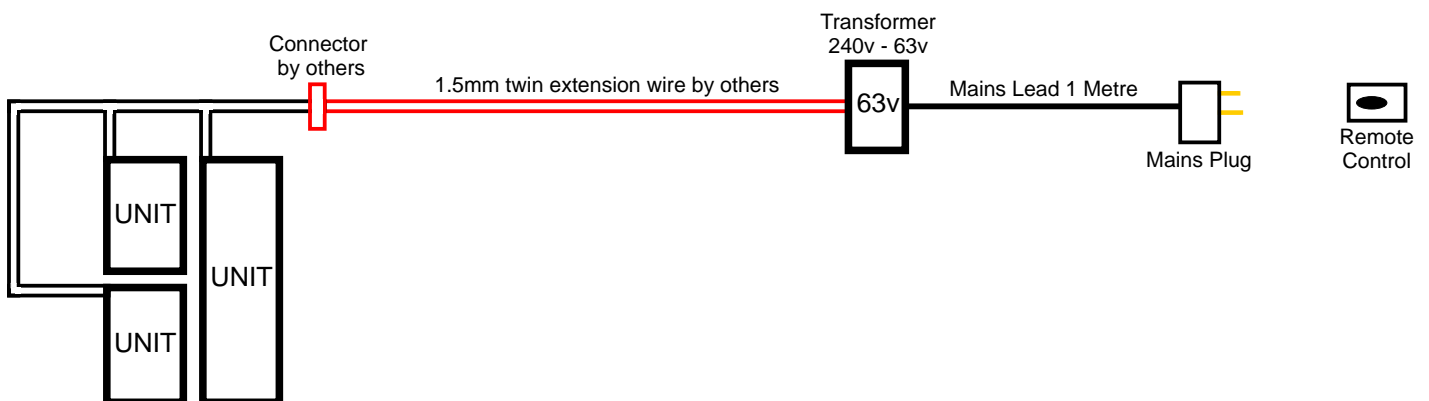
Privacy Glass Technical Information

24mm x 28mm units
Maximum size of unit is 900 x 2650

Single Unit



Multiple Units



The standard items supplied with the units is 300mm of 1.5mm(2) wiring attached to the sealed unit, 1x240v - 63v transformer, 1x mains plug and lead (1 metre).

All other items connector and extension lead wiring etc to be supplied by customer or their agents wiring this item on their behalf.

Options are 0-15m², 15-25m² for transformer if required.



Duration Windows, Unit 4, Charfleets Industrial Estate,
Canvey Island, Essex, SS8 0PQ

Tel: 01268 681612 Fax: 01268 510058

Website: www.duration.co.uk E-Mail: sales@duration.co.uk